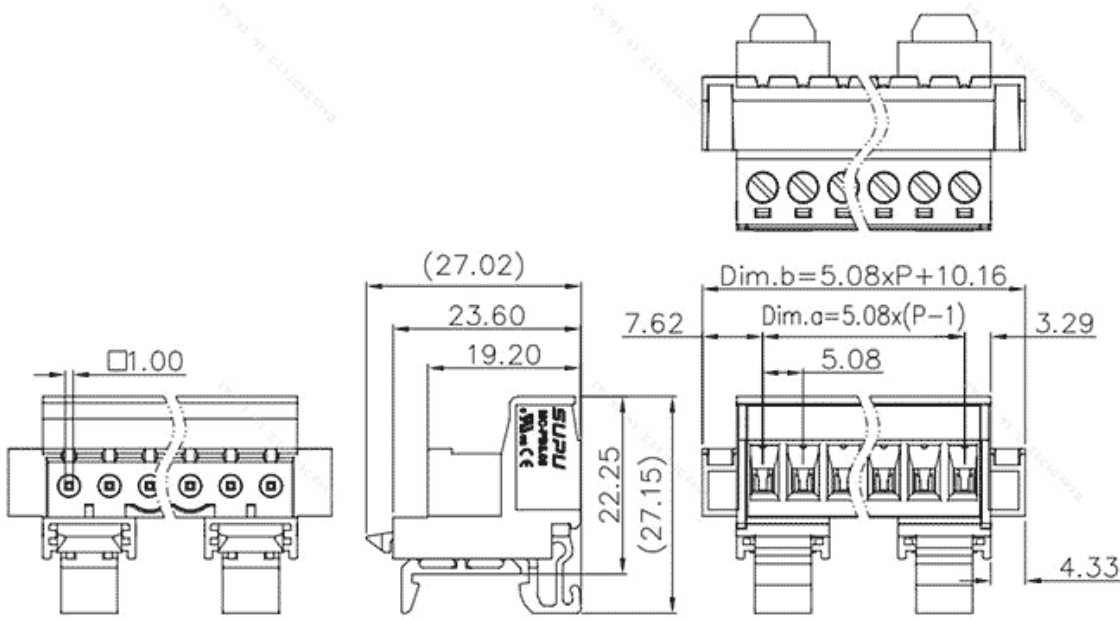


Product Type: Plug-in terminal-Socket

## Product Name:MC-PB5.08H16C-SI-0001

Product Description: Pitch: 5.08mm Rated Voltage : 320V Rated Current: 12A Connection method : Screw connection colour : customizable

### Product Size



### Parameters

|   |                       |
|---|-----------------------|
| <input checked="" type="checkbox"/> SUPU ID               | MC-PB5.08H16C-SI-0001 |
| <input checked="" type="checkbox"/> Pitch                 | 5.08                  |
| <input checked="" type="checkbox"/> Number of levels      | Single layer          |
| <input checked="" type="checkbox"/> Number of connections | 16                    |

|   |                                  |
|---|----------------------------------|
| <input checked="" type="checkbox"/> Connection method           | Screw connection                 |
| <input checked="" type="checkbox"/> Protection Level            | IP20                             |
| <input checked="" type="checkbox"/> Operating temperature range | -40~+105°C                       |
| <input checked="" type="checkbox"/> Insulation material         | PA66                             |
| <input checked="" type="checkbox"/> Insulation material group   | I                                |
| <input checked="" type="checkbox"/> Contact material            | Copper alloy                     |
| <input checked="" type="checkbox"/> Contact plating             | Sn,Plated                        |
| <input checked="" type="checkbox"/> Color                       | Green/Black/Blue/Grey/Orange/Red |

## Technical data

|   |                        |
|---|------------------------|
| <input checked="" type="checkbox"/> IEC Rated Current                             | 320V                   |
| <input checked="" type="checkbox"/> IEC Rated Voltage                             | 12A                    |
| <input checked="" type="checkbox"/> Overvoltage category                          | III III II             |
| <input checked="" type="checkbox"/> Degree of pollution                           | 3 2 2                  |
| <input checked="" type="checkbox"/> Rated impulse voltage                         | 4.0KV 4.0KV 4.0KV      |
| <input checked="" type="checkbox"/> UL Rated Current                              | 10A - 10A              |
| <input checked="" type="checkbox"/> UL Rated Voltage                              | 300V - 300V            |
| <input checked="" type="checkbox"/> Conductor cross section rigid                 | 0.2-2.5mm <sup>2</sup> |
| <input checked="" type="checkbox"/> Conductor cross section flexible              | 0.2-2.5mm <sup>2</sup> |
| <input checked="" type="checkbox"/> Conductor cross section flexible,with ferrule | 0.2-2.5mm <sup>2</sup> |
| <input checked="" type="checkbox"/> Locking screw Specification                   | M3                     |
| <input checked="" type="checkbox"/> Locking screw torque                          | 0.5N.m                 |
| <input checked="" type="checkbox"/> Stripping length                              | 7-8mm                  |
| <input checked="" type="checkbox"/> Use group                                     | B/C/D                  |

☒ Rated cross section

28~12AWG

## Commercial data

☒ Order No

MC-PB5.08H16C-SI-0001

### Ningbo SUPU Electronics Co., Ltd.

Address: No. 150, Xinxing 4th Road, High-tech Industrial Development Zone,

Cixi City, Zhejiang Province, China

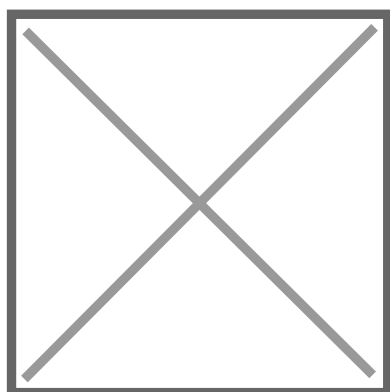
Zip code: 315303

Switchboard: +86 574-63288158

Fax: +86 574-63288170

E-mail:supucontact@supu.cn

Service Hotline: 400-626-6336



Wechat

Date:2026-04-29 19:37

The right to modify data belongs to SUPU.