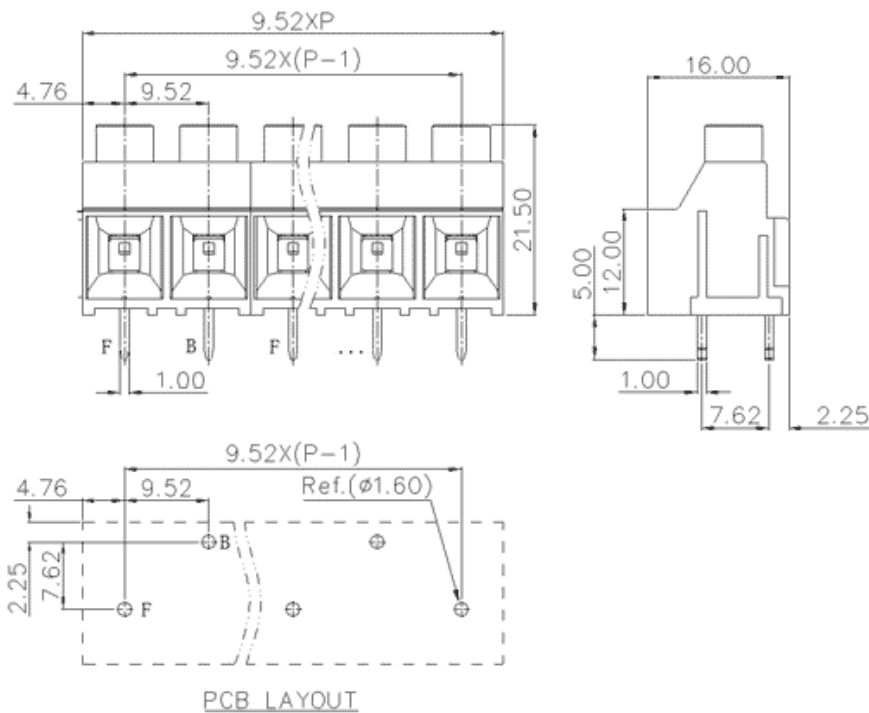


Product Type: Fixed terminal

Product Name:MC-TH-F9.52H10C-0001

Product Description: Pitch:9.52mm Rated Voltage : 1000V Rated Current:32A Connection method : Screw connection colour : customizable

Product Size



Parameters

<input checked="" type="checkbox"/> SUPU ID	MC-TH-F9.52H10C-0001
<input checked="" type="checkbox"/> Pitch	9.52
<input checked="" type="checkbox"/> Number of levels	Single layer
<input checked="" type="checkbox"/> Number of connections	10

<input checked="" type="checkbox"/> Connection method	Screw connection
<input checked="" type="checkbox"/> Protection Level	IP20
<input checked="" type="checkbox"/> Operating temperature range	-40~+105°C
<input checked="" type="checkbox"/> Insulation material	PA66
<input checked="" type="checkbox"/> Insulation material group	I
<input checked="" type="checkbox"/> Contact material	Copper alloy
<input checked="" type="checkbox"/> Contact plating	Sn,Plated
<input checked="" type="checkbox"/> Color	Green/Black/Blue/Grey/Orange/Red

Technical data

<input checked="" type="checkbox"/> IEC Rated Current	32A
<input checked="" type="checkbox"/> IEC Rated Voltage	1000V
<input checked="" type="checkbox"/> Overvoltage category	III/III/ II
<input checked="" type="checkbox"/> Degree of pollution	3 2 2
<input checked="" type="checkbox"/> Rated impulse voltage	6.0KV 6.0KV 6.0KV
<input checked="" type="checkbox"/> UL Rated Current	30A 30A 5A
<input checked="" type="checkbox"/> UL Rated Voltage	300V 300V 600V
<input checked="" type="checkbox"/> Conductor cross section rigid	0.2-6.0mm ²
<input checked="" type="checkbox"/> Conductor cross section flexible	0.2-6.0mm ²
<input checked="" type="checkbox"/> Conductor cross section flexible,with ferrule	0.2-6.0mm ²
<input checked="" type="checkbox"/> Locking screw Specification	M3
<input checked="" type="checkbox"/> Locking screw torque	0.5-0.6N.m
<input checked="" type="checkbox"/> Fixed Screw Specification	-
<input checked="" type="checkbox"/> Stripping length	8-9mm

☒ Order No

MC-TH-F9.52H10C-0001

Ningbo SUPU Electronics Co., Ltd.

Address: No. 150, Xinxing 4th Road, High-tech Industrial Development Zone,
Cixi City, Zhejiang Province, China

Zip code: 315303

Switchboard: +86 574-63288158

Fax: +86 574-63288170

E-mail:supucontact@supu.cn

Service Hotline: 400-626-6336



Wechat