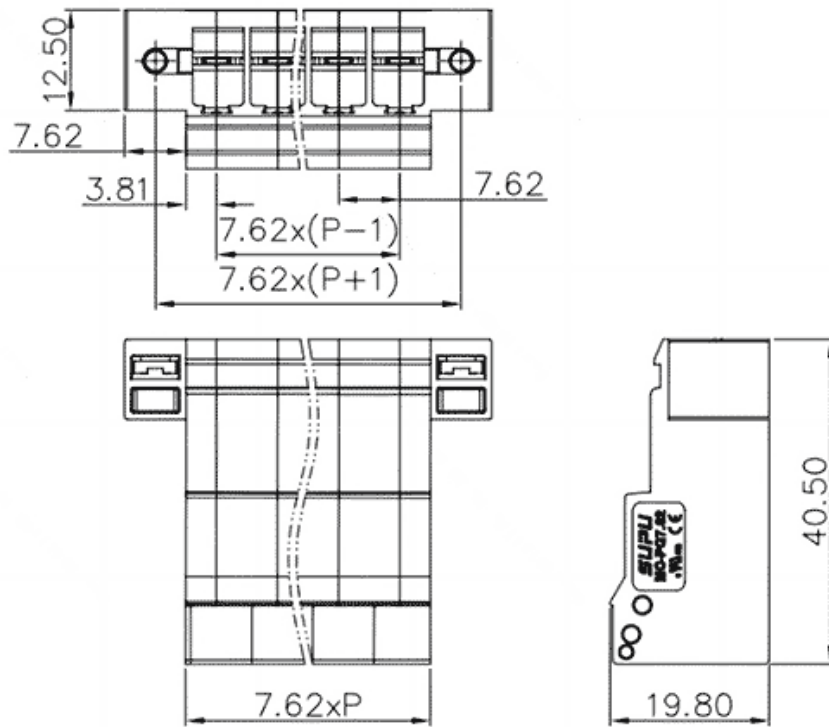


Product Type: Plug-in terminal-Socket

Product Name:MC-  
PQ7.62H07P-F-0001

Product Description: Pitch:7.62mm Rated  
Voltage : 1000V Rated Current:41A Connection  
method : Push-in spring connection  
colour : customizable

### Product Size



### Parameters

|   |                      |
|---|----------------------|
| <input checked="" type="checkbox"/> SUPU ID               | MC-PQ7.62H07P-F-0001 |
| <input checked="" type="checkbox"/> Pitch                 | 7.62                 |
| <input checked="" type="checkbox"/> Number of levels      | Single layer         |
| <input checked="" type="checkbox"/> Number of connections | 7                    |

|  |                                  |
|--|----------------------------------|
| <input type="checkbox"/> Connection method           | Push in connection               |
| <input type="checkbox"/> Protection Level            | IP20                             |
| <input type="checkbox"/> Operating temperature range | -40~+105°C                       |
| <input type="checkbox"/> Insulation material         | PA66                             |
| <input type="checkbox"/> Insulation material group   | I                                |
| <input type="checkbox"/> Contact material            | Copper alloy                     |
| <input type="checkbox"/> Contact plating             | Sn,Plated                        |
| <input type="checkbox"/> Color                       | Green/Black/Blue/Grey/Orange/Red |

## Technical data

|  |                         |
|--|-------------------------|
| <input type="checkbox"/> IEC Rated Current                             | 1000V                   |
| <input type="checkbox"/> IEC Rated Voltage                             | 41A                     |
| <input type="checkbox"/> Overvoltage category                          | III/III/ II             |
| <input type="checkbox"/> Degree of pollution                           | 3 2 2                   |
| <input type="checkbox"/> Rated impulse voltage                         | 8.0KV 8.0KV 8.0KV       |
| <input type="checkbox"/> UL Rated Current                              | 35A - 35A               |
| <input type="checkbox"/> UL Rated Voltage                              | 600V - 600V             |
| <input type="checkbox"/> Conductor cross section rigid                 | 0.2~10.0mm <sup>2</sup> |
| <input type="checkbox"/> Conductor cross section flexible              | 0.2~10.0mm <sup>2</sup> |
| <input type="checkbox"/> Conductor cross section flexible,with ferrule | 0.2~6.0mm <sup>2</sup>  |
| <input type="checkbox"/> Locking screw Specification                   | -                       |
| <input type="checkbox"/> Locking screw torque                          | -                       |
| <input type="checkbox"/> Fixed Screw Specification                     | -                       |
| <input type="checkbox"/> 固定螺钉扭矩  | -                       |

|  |         |
|--|---------|
| <input type="checkbox"/> Stripping length    | 13~15mm |
| <input type="checkbox"/> Use group           | B/C/D   |
| <input type="checkbox"/> Rated cross section | 24~8AWG |

## Commercial data

|                                   |                      |
|-----------------------------------|----------------------|
| <input type="checkbox"/> Order No | MC-PQ7.62H07P-F-0001 |
|-----------------------------------|----------------------|

### Ningbo SUPU Electronics Co., Ltd.

Address: No. 150, Xinxing 4th Road, High-tech Industrial Development Zone,

Cixi City, Zhejiang Province, China

Zip code: 315303

Switchboard: +86 574-63288158

Fax: +86 574-63288170

E-mail:supucontact@supu.cn

Service Hotline: 400-626-6336



Wechat