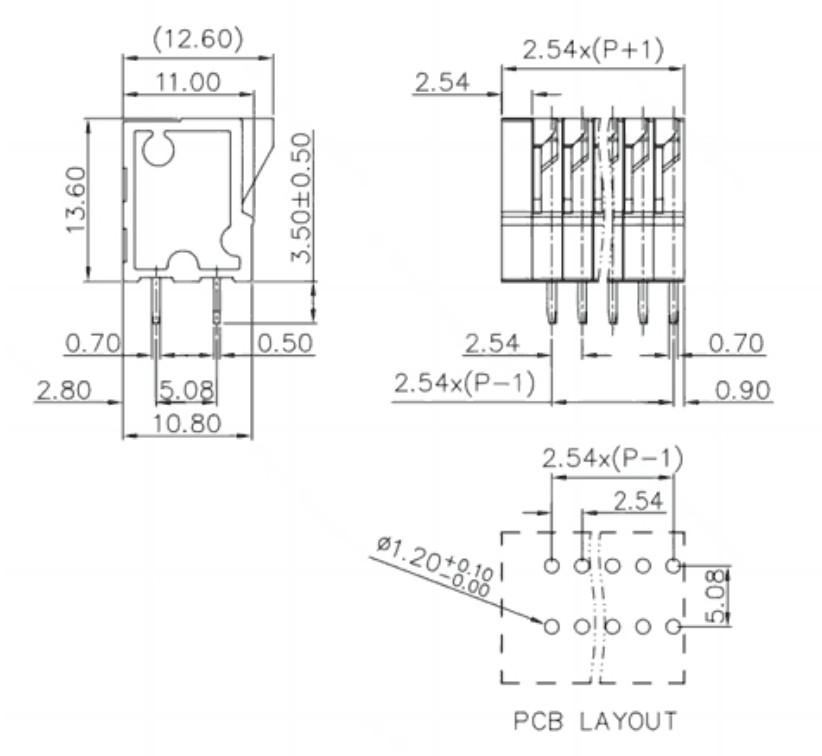


Product Type: Fixed terminal

Product Name:MC-TC2.54V08P-N-0001

Product Description: Pitch:2.54mm Rated Voltage : 160V Rated Current:6A Connection method : Push-in spring connection colour : customizable

### Product Size



### Parameters

<input checked="" type="checkbox"/> SUPU ID	MC-TC2.54V08P-N-0001
<input checked="" type="checkbox"/> Pitch	2.54
<input checked="" type="checkbox"/> Number of levels	Single layer
<input checked="" type="checkbox"/> Number of connections	8

<input type="checkbox"/> Connection method	Push in connection
<input type="checkbox"/> Protection Level	IP20
<input type="checkbox"/> Operating temperature range	-40~+105°C
<input type="checkbox"/> Insulation material	PA66
<input type="checkbox"/> Insulation material group	I
<input type="checkbox"/> Contact material	Copper alloy
<input type="checkbox"/> Contact plating	Sn,Plated
<input type="checkbox"/> Color	Green/Black/Blue/Grey/Orange/Red

## Technical data

<input type="checkbox"/> IEC Rated Current	6A
<input type="checkbox"/> IEC Rated Voltage	160V
<input type="checkbox"/> Overvoltage category	III/III/ II
<input type="checkbox"/> Degree of pollution	3 2 2
<input type="checkbox"/> Rated impulse voltage	2.5KV 2.5KV 2.5KV
<input type="checkbox"/> UL Rated Current	5A - -
<input type="checkbox"/> UL Rated Voltage	150V - -
<input type="checkbox"/> Conductor cross section rigid	0.2-1.0mm <sup>2</sup>
<input type="checkbox"/> Conductor cross section flexible	0.2-1.0mm <sup>2</sup>
<input type="checkbox"/> Conductor cross section flexible,with ferrule	0.2-1.0mm <sup>2</sup>
<input type="checkbox"/> Locking screw Specification	-
<input type="checkbox"/> Locking screw torque	-
<input type="checkbox"/> Fixed Screw Specification	-
<input type="checkbox"/> Stripping length	11mm

☒ Order No

MC-TC2.54V08P-N-0001

Ningbo SUPU Electronics Co., Ltd.

Address: No. 150, Xinxing 4th Road, High-tech Industrial Development Zone,  
Cixi City, Zhejiang Province, China

Zip code: 315303

Switchboard: +86 574-63288158

Fax: +86 574-63288170

E-mail:supucontact@supu.cn

Service Hotline: 400-626-6336



Wechat