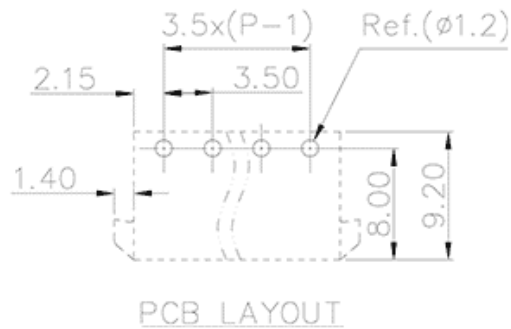
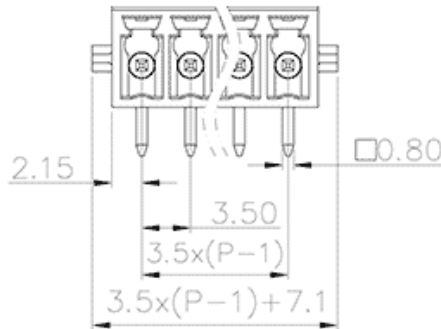
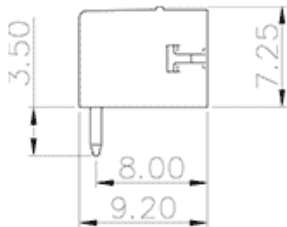


Product Type: Plug-in terminal-Socket

Product Name:MC-PA3.5HXX-D-0002

Product Description: Pitch: 3.5mm Rated Voltage : 160V Rated Current: 8A colour : customizable

### Product Size



PCB LAYOUT

### Parameters

|   |                    |
|---|--------------------|
| <input checked="" type="checkbox"/> SUPU ID               | MC-PA3.5HXX-D-0002 |
| <input checked="" type="checkbox"/> Pitch                 | 3.5                |
| <input checked="" type="checkbox"/> Number of connections | XX                 |
| <input checked="" type="checkbox"/> Connection method     | -                  |

|  |                                  |
|--|----------------------------------|
| <input type="checkbox"/> Protection Level            | IP20                             |
| <input type="checkbox"/> Operating temperature range | -40~+105°C                       |
| <input type="checkbox"/> Insulation material         | PA66                             |
| <input type="checkbox"/> Insulation material group   | I                                |
| <input type="checkbox"/> Contact material            | Copper alloy                     |
| <input type="checkbox"/> Contact plating             | Sn,Plated                        |
| <input type="checkbox"/> Color                       | Green/Black/Blue/Grey/Orange/Red |

## Technical data

|  |                   |
|--|-------------------|
| <input type="checkbox"/> IEC Rated Current                             | 8A                |
| <input type="checkbox"/> IEC Rated Voltage                             | 160V              |
| <input type="checkbox"/> Overvoltage category                          | III III II        |
| <input type="checkbox"/> Degree of pollution                           | 3 2 2             |
| <input type="checkbox"/> Rated impulse voltage                         | 2.5KV 2.5KV 2.5KV |
| <input type="checkbox"/> UL Rated Current                              | 8A - 8A           |
| <input type="checkbox"/> UL Rated Voltage                              | 300V - 300V       |
| <input type="checkbox"/> Conductor cross section rigid                 | -                 |
| <input type="checkbox"/> Conductor cross section flexible              | -                 |
| <input type="checkbox"/> Conductor cross section flexible,with furrule | -                 |
| <input type="checkbox"/> Locking screw Specification                   | -                 |
| <input type="checkbox"/> Locking screw torque                          | -                 |
| <input type="checkbox"/> Fixed Screw Specification                     | -                 |
| <input type="checkbox"/> Stripping length                              | -                 |
| <input type="checkbox"/> Use group                                     | B/C/D             |

☒ Order No

MC-PA3.5HXX-D-0002

Ningbo SUPU Electronics Co., Ltd.

Address: No. 150, Xinxing 4th Road, High-tech Industrial Development Zone,  
Cixi City, Zhejiang Province, China

Zip code: 315303

Switchboard: +86 574-63288158

Fax: +86 574-63288170

E-mail:supucontact@supu.cn

Service Hotline: 400-626-6336



Wechat