

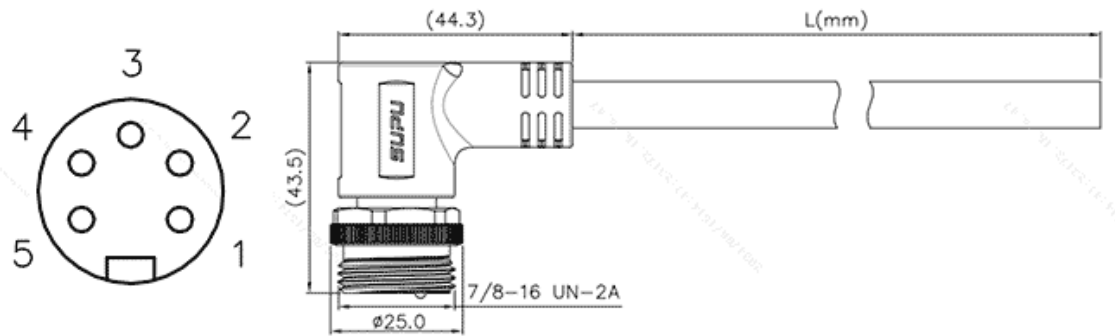


Product Type: 7/8 circular connector

Product Name: M7-8U05C-  
MMSRA-UC001BH

Product Description: 7/8, 5 pole male angled connector, unshielded, with 1 meter PVC cable

Product Size



Parameters

☞ SUPU ID	M7/8
☞ Number of connections	5
☞ Protection Level	IP67
☞ Thread type	7/8-16 UN-2A

☞ Category	Male
☞ Coding	/
☞ Connection method	Moulded Type☒
☞ Shielded	NO
☞ Mechanical endurance	≥100
☞ Standards	/

## Technical data

☞ IEC Rated Current	9A
☞ IEC Rated Voltage	300V DC
☞ Insulation Resistance	≥100MΩ
☞ Contact resistance	<10mΩ
☞ Contact/surface material	CuZn/Ni/Au
☞ Contact carrier material	TPU
☞ Screw/nut material	CuZn
☞ Sealing material	NBR
☞ Cable length	1
☞ Outer sheath, material	PVC
☞ External sheath, color	Black

## Commercial data

☞ Order No	M7/8U05C-MMSRA-UC001BH
☞ Packing unit	PCS
☞ Minimum order quantity	1

## Ningbo SUPU Electronics Co., Ltd.

Address: No. 150, Xinxing 4th Road, High-tech Industrial Development Zone,  
Cixi City, Zhejiang Province, China

Zip code: 315303

Switchboard: +86 574-63288158

Fax: +86 574-63288170

E-mail:supucontact@supu.cn

Service Hotline: 400-626-6336



Wechat

---

Date:2026-04-29 15:31

The right to modify data belongs to SUPU.