

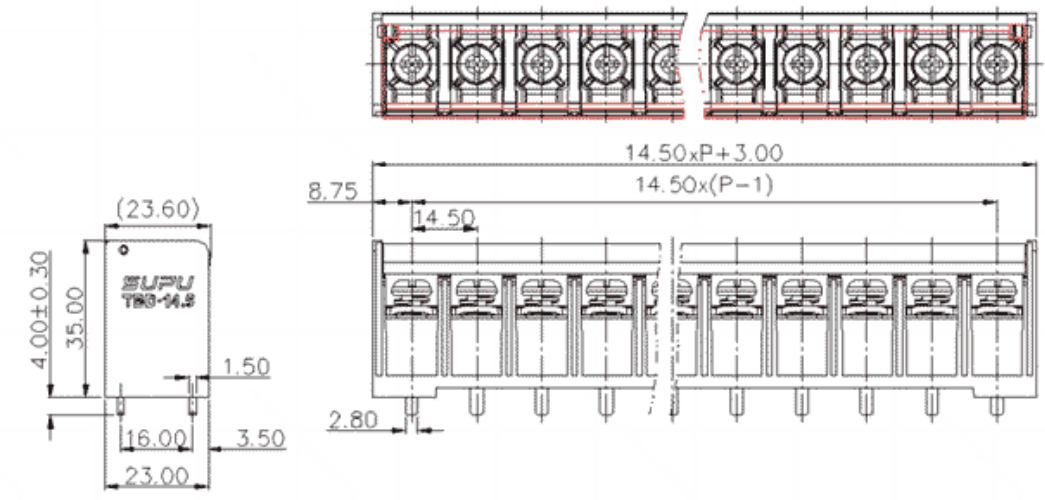
Product Type: Barrier terminal

Product Name: TBD-14.5VXXC-40-101



Product Description: pitch : 14.5mm, rated voltage IEC1000V, rated current IEC76A, color: black, Rated cross section 20-8AWG

Product Size



Parameters

☞ SUPU ID	TBD-14.5V02C-40-101
☞ Pitch	14.5
☞ Number of levels	Single layer
☞ Number of connections	XX

☞ Connection method	Screw connection
☞ Protection Level	IP20
☞ Operating temperature range	-30°C ~+120°C
☞ Insulation material	PBT+GF
☞ Insulation material group	III
☞ Contact material	Copper alloy
☞ Contact plating	Sn plated

Commercial data

☞ Order No	TBD-14.5V02C-40-101
------------	---------------------

Ningbo SUPU Electronics Co., Ltd.

Address: No. 150, Xinxing 4th Road, High-tech Industrial Development Zone,
Cixi City, Zhejiang Province, China

Zip code: 315303

Switchboard: +86 574-63288158

Fax: +86 574-63288170

E-mail:supucontact@supu.cn

Service Hotline: 400-626-6336



Wechat

