

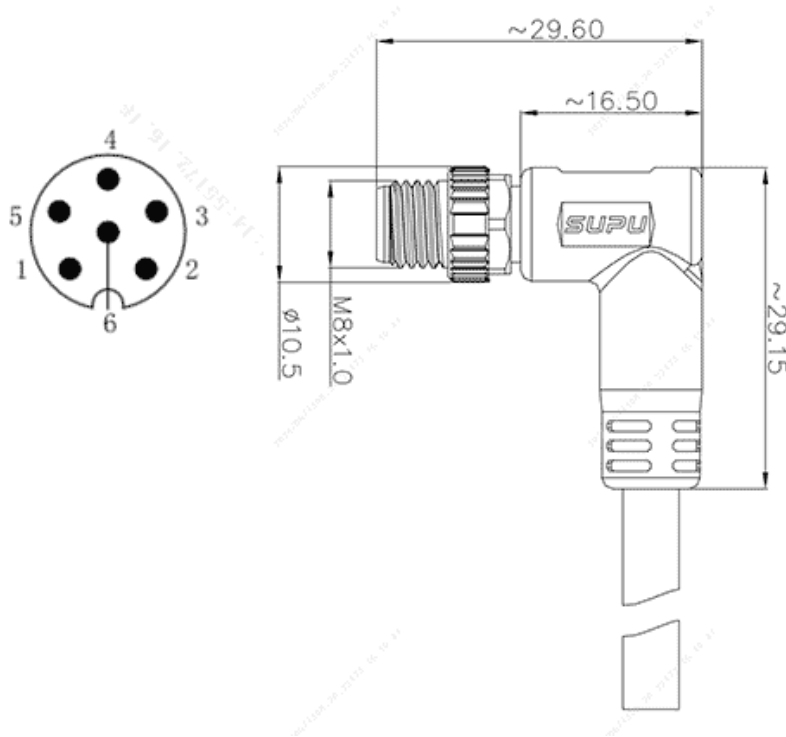


Product Type: M8 Moulded Connector

Product Name: M8A06Z-MMSRA-SC001B

Product Description: M8A moulded angled male 6-core shielded PVC wire 1 m

Product Size



Parameters

<input checked="" type="checkbox"/> SUPU ID	M8
<input checked="" type="checkbox"/> Number of connections	6
<input checked="" type="checkbox"/> Protection Level	IP67
<input checked="" type="checkbox"/> Operating temperature range	-40~+85

<input type="checkbox"/> Thread type	M8X1.0
<input type="checkbox"/> Category	针式
<input type="checkbox"/> Product type	预铸成型式
<input type="checkbox"/> Coding	A
<input type="checkbox"/> Connection method	预铸成型式
<input type="checkbox"/> Shielded	YES
<input type="checkbox"/> Mechanical endurance	≥100
<input type="checkbox"/> Standards	IEC61076-2-104

Commercial data

<input type="checkbox"/> Order No	M8A06Z-MMSRA-SC001B
<input type="checkbox"/> Packing unit	PCS
<input type="checkbox"/> Minimum order quantity	1

Ningbo SUPU Electronics Co., Ltd.

Address: No. 150, Xinxing 4th Road, High-tech Industrial Development Zone,
Cixi City, Zhejiang Province, China

Zip code: 315303

Switchboard: +86 574-63288158

Fax: +86 574-63288170

E-mail:supucontact@supu.cn

Service Hotline: 400-626-6336



Wechat

Date:2026-04-29 19:24

The right to modify data belongs to SUPU.