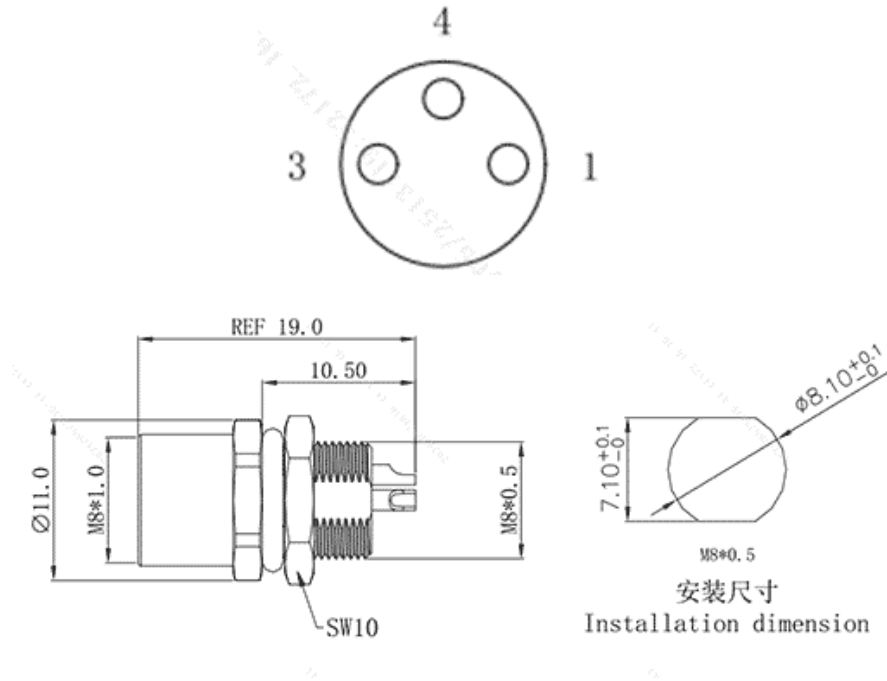


Product Type: M8 Panel Mounting Connector

## Product Name:M8A03C-FPSFHUA

Product Description: M12A panel female 3-core welded type, front mounted, M8\*0.5

### Product Size



### Parameters

<input checked="" type="checkbox"/> SUPU ID	M8
<input checked="" type="checkbox"/> Number of connections	3
<input checked="" type="checkbox"/> Protection Level	IP67
<input checked="" type="checkbox"/> Operating temperature range	-40~+85°C

<input type="checkbox"/> Mounting Type	Front Panel Mount
<input type="checkbox"/> Color	Black
<input type="checkbox"/> Core number	3
<input type="checkbox"/> Thread type	M8X0.5
<input type="checkbox"/> Category	Female
<input type="checkbox"/> Product type	A
<input type="checkbox"/> Coding	A
<input type="checkbox"/> Connection method	Cup Port
<input type="checkbox"/> Mechanical endurance	100
<input type="checkbox"/> Standards	IEC61076-2-104

## Technical data

<input type="checkbox"/> IEC Rated Current	3A
<input type="checkbox"/> IEC Rated Voltage	50 VAC / 60 VDC
<input type="checkbox"/> Degree of pollution	3
<input type="checkbox"/> Insulation Resistance	$\geq 100M\Omega$
<input type="checkbox"/> Contact resistance	$< 10m\Omega$
<input type="checkbox"/> Contact/surface material	CuSn/Ni/Au
<input type="checkbox"/> Contact carrier material	PA
<input type="checkbox"/> Screw/nut material	CuZn
<input type="checkbox"/> Sealing material	NBR
<input type="checkbox"/> Cable length	/
<input type="checkbox"/> 导线材料	/

## Commercial data

☒ Order No	M8A03C-FPSFHUA
☒ Packing unit	PCS
☒ Minimum order quantity	1

## Ningbo SUPU Electronics Co., Ltd.

Address: No. 150, Xinxing 4th Road, High-tech Industrial Development Zone,  
Cixi City, Zhejiang Province, China

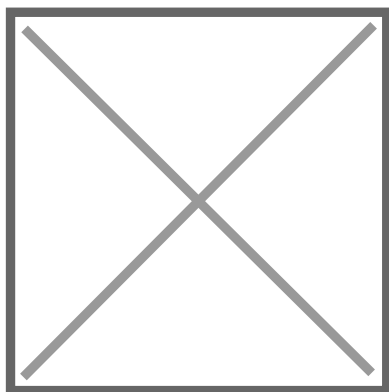
Zip code: 315303

Switchboard: +86 574-63288158

Fax: +86 574-63288170

E-mail: [supucontact@supu.cn](mailto:supucontact@supu.cn)

Service Hotline: 400-626-6336



Wechat