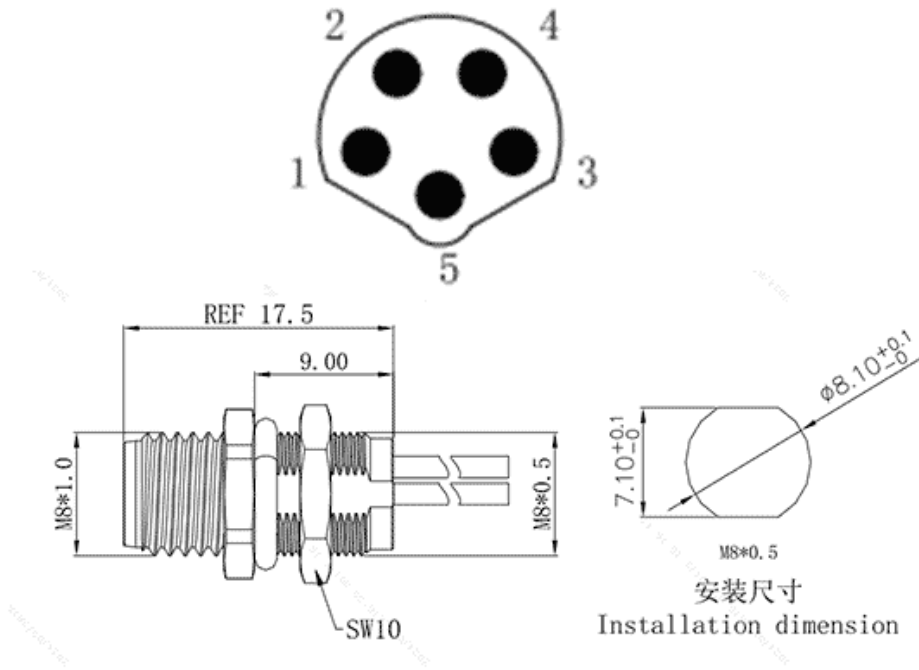


Product Type: M8 Panel Mounting Connector

Product Name: M8B05C-MFHA-UC0.5

Product Description: M8B panel male 5-core ,front mounted, M8*0.5, with 0.5 m electronic wire

Product Size



Parameters

<input checked="" type="checkbox"/> SUPU ID	M8
<input checked="" type="checkbox"/> Number of connections	5
<input checked="" type="checkbox"/> Protection Level	IP67
<input checked="" type="checkbox"/> Operating temperature range	-40~+85°C

<input type="checkbox"/> Mounting Type	Front Panel Mount
<input type="checkbox"/> Color	Black
<input type="checkbox"/> Core number	5
<input type="checkbox"/> Thread type	M8X0.5
<input type="checkbox"/> Category	Male
<input type="checkbox"/> Product type	B
<input type="checkbox"/> Coding	B
<input type="checkbox"/> Connection method	Cup Port
<input type="checkbox"/> Mechanical endurance	100
<input type="checkbox"/> Standards	IEC61076-2-104

Technical data

<input type="checkbox"/> IEC Rated Current	3A
<input type="checkbox"/> IEC Rated Voltage	30 VAC / 30 VDC
<input type="checkbox"/> Degree of pollution	3
<input type="checkbox"/> Insulation Resistance	$\geq 100M\Omega$
<input type="checkbox"/> Contact resistance	$< 10m\Omega$
<input type="checkbox"/> Contact/surface material	CuSn/Ni/Au
<input type="checkbox"/> Contact carrier material	PA
<input type="checkbox"/> Screw/nut material	CuZn
<input type="checkbox"/> Sealing material	NBR
<input type="checkbox"/> Cable length	0.5
<input type="checkbox"/> 导线材料	PVC

Commercial data

☒ Order No

M8B05C-MFHA-UC0.5

☒ Packing unit

PCS

☒ Minimum order quantity

1

Ningbo SUPU Electronics Co., Ltd.

Address: No. 150, Xinxing 4th Road, High-tech Industrial Development Zone,
Cixi City, Zhejiang Province, China

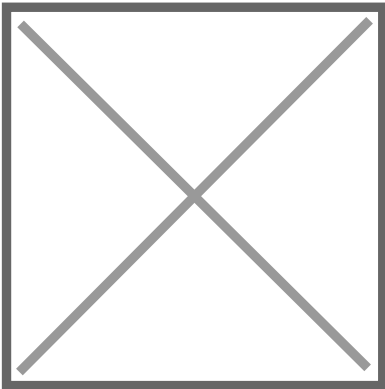
Zip code: 315303

Switchboard: +86 574-63288158

Fax: +86 574-63288170

E-mail: supucontact@supu.cn

Service Hotline: 400-626-6336



Wechat

Date:2026-05-05 12:01

The right to modify data belongs to SUPU.