

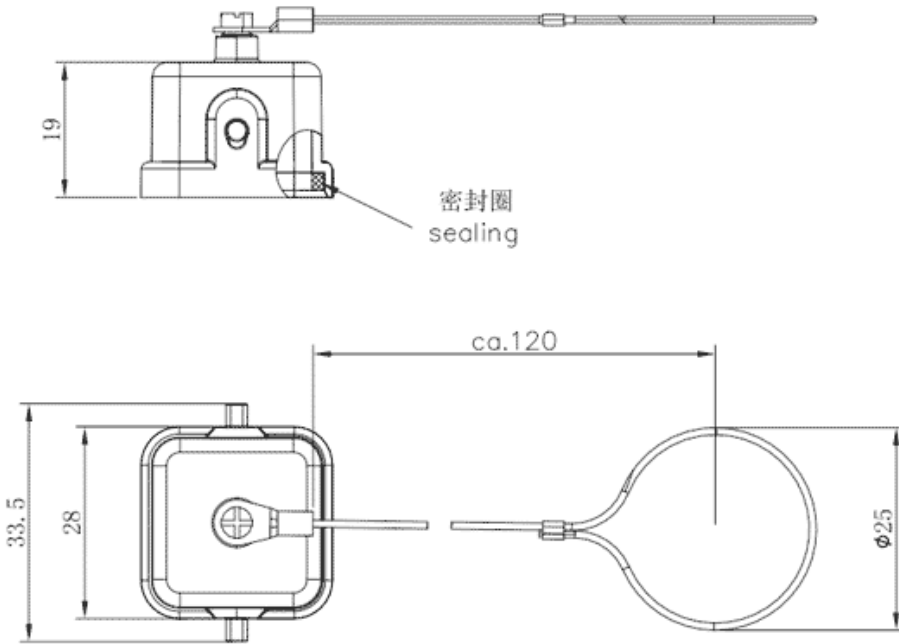
Product Type: Accessory

Product Name: S3A-MC-2B-1F

Product Description: S3A Protection, metal, 2 bolts, for female insert



Product Size



Parameters

☞ SUPU ID	S3A-MC-2B-1F
☞ Protection Level	IP65
☞ Operating temperature range	-40°C~+125°C
☞ Thread type	/

☞ Category

Metal Protective Cover

☞ Product type

Accessory Metal Protective Cover

☞ Mechanical endurance

≥500

## Ningbo SUPU Electronics Co., Ltd.

Address: No. 150, Xinxing 4th Road, High-tech Industrial Development Zone,  
Cixi City, Zhejiang Province, China

Zip code: 315303

Switchboard: +86 574-63288158

Fax: +86 574-63288170

E-mail:supucontact@supu.cn

Service Hotline: 400-626-6336



Wechat

---

Date:2026-05-03 15:19

The right to modify data belongs to SUPU.