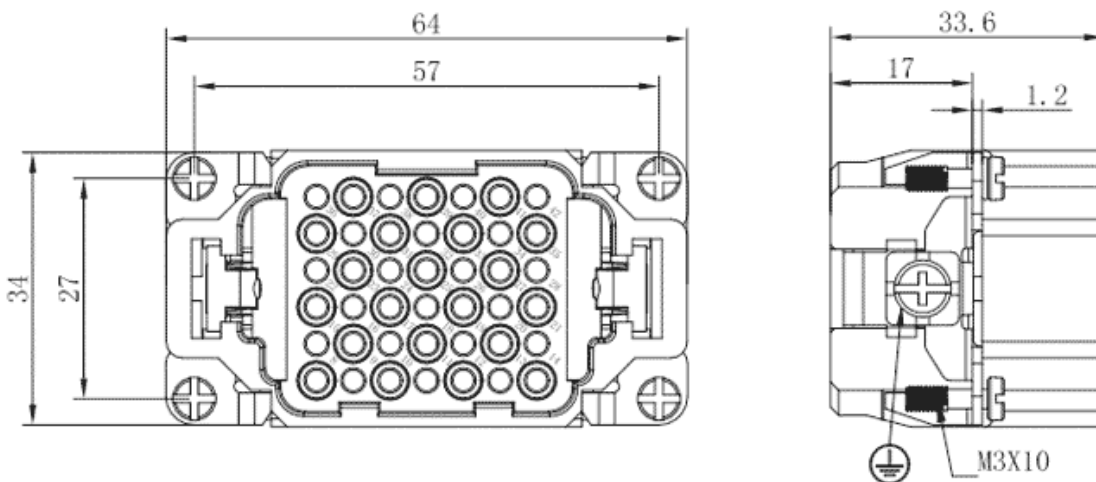


Product Type: Heavy-duty Connector Inserts

Product Name:SDD-042-MC

Product Description: SDD Series,42-pole,Ground,Male,Crimp connection

Product Size



Parameters

<input checked="" type="checkbox"/> SUPU ID	SDD-042-MC
<input checked="" type="checkbox"/> Number of connections	42
<input checked="" type="checkbox"/> Operating temperature range	-40°C~+125°C
<input checked="" type="checkbox"/> Color	Grey

<input type="checkbox"/> Core number	42
<input type="checkbox"/> Category	Male Insert
<input type="checkbox"/> Connection method	Crimp terminal
<input type="checkbox"/> Mechanical endurance	≥500

Technical data

<input type="checkbox"/> IEC Rated Current	10A
<input type="checkbox"/> IEC Rated Voltage	250V
<input type="checkbox"/> Degree of pollution	3
<input type="checkbox"/> Contact/surface material	Copper Alloy/Hard-gold, Hard-silver Plated
<input type="checkbox"/> Contact carrier material	PC
<input type="checkbox"/> Sealing material	NBR
<input type="checkbox"/> Insulation resistance	≥1010Ω
<input type="checkbox"/> Contact resistance	≤3mΩ
<input type="checkbox"/> Rated pulse voltage	4KV
<input type="checkbox"/> Wire Specification	0.14-2.5mm ² /26-14 AWG

Commercial data

<input type="checkbox"/> Order No	SDD-042-MC
<input type="checkbox"/> Packing unit	PCS
<input type="checkbox"/> Minimum order quantity	1

Ningbo SUPU Electronics Co., Ltd.

Address: No. 150, Xinxing 4th Road, High-tech Industrial Development Zone,

Cixi City, Zhejiang Province, China

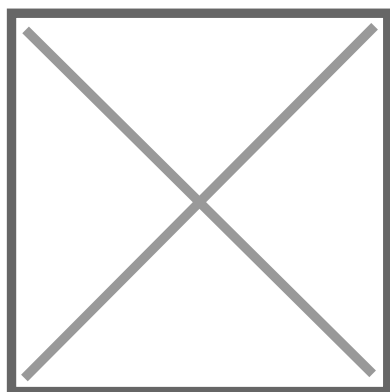
Zip code: 315303

Switchboard: +86 574-63288158

Fax: +86 574-63288170

E-mail:supucontact@supu.cn

Service Hotline: 400-626-6336



Wechat

Date:2026-04-29 19:24

The right to modify data belongs to SUPU.