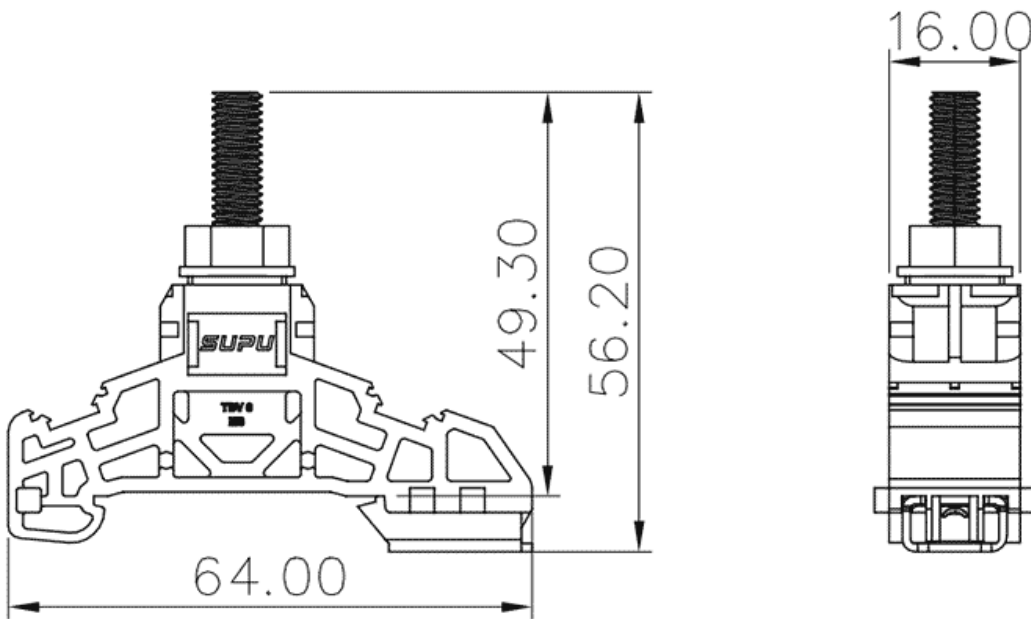


Product Type: Bolt Connection

## Product Name:TBV6-1-GY

Product Description: Connection method:Bolt connection,IEC Rated Current:125A,IEC Rated Voltage:1000V,Number of connections:1,Number of levels:1

### Product Size



### Parameters

<input checked="" type="checkbox"/> SUPU ID	TBV6-1-GY
<input checked="" type="checkbox"/> Width	16mm
<input checked="" type="checkbox"/> Number of levels	1
<input checked="" type="checkbox"/> Number of connections	1

<input type="checkbox"/> Connection method	Bolt connection
<input type="checkbox"/> Protection Level	IP20
<input type="checkbox"/> Insulation material	PA66
<input type="checkbox"/> Insulation material group	I
<input type="checkbox"/> Ambient temperature (operation)	-40°C~105°C
<input type="checkbox"/> Ambient temperature (assembly)	-5°C~70°C
<input type="checkbox"/> Ambient temperature (storage)	-25°C~60°C
<input type="checkbox"/> Permissible humidity (storage/transport)	30%~70%

## Technical data

<input type="checkbox"/> IEC Rated Current	125A
<input type="checkbox"/> IEC Rated Voltage	1000V
<input type="checkbox"/> Overvoltage category	III
<input type="checkbox"/> Degree of pollution	3
<input type="checkbox"/> Rated impulse voltage	8KV
<input type="checkbox"/> Conductor cross section flexible	2.5-35mm <sup>2</sup>
<input type="checkbox"/> Locking screw Specification	M6
<input type="checkbox"/> Locking screw torque	3-6N.m
<input type="checkbox"/> Use group	B/C/D
<input type="checkbox"/> Rated cross section	14-2AWG
<input type="checkbox"/> UL Rated Current	-/125A/-
<input type="checkbox"/> UL Rated Current	-/1000V/-

## Commercial data

## Ningbo SUPU Electronics Co., Ltd.

Address: No. 150, Xinxing 4th Road, High-tech Industrial Development Zone,  
Cixi City, Zhejiang Province, China

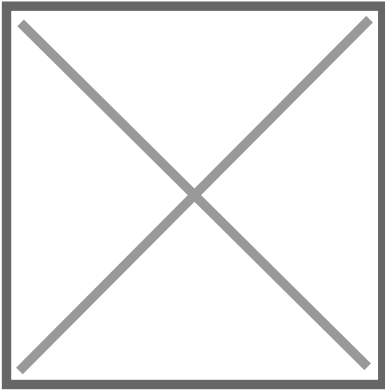
Zip code: 315303

Switchboard: +86 574-63288158

Fax: +86 574-63288170

E-mail:supucontact@supu.cn

Service Hotline: 400-626-6336



Wechat