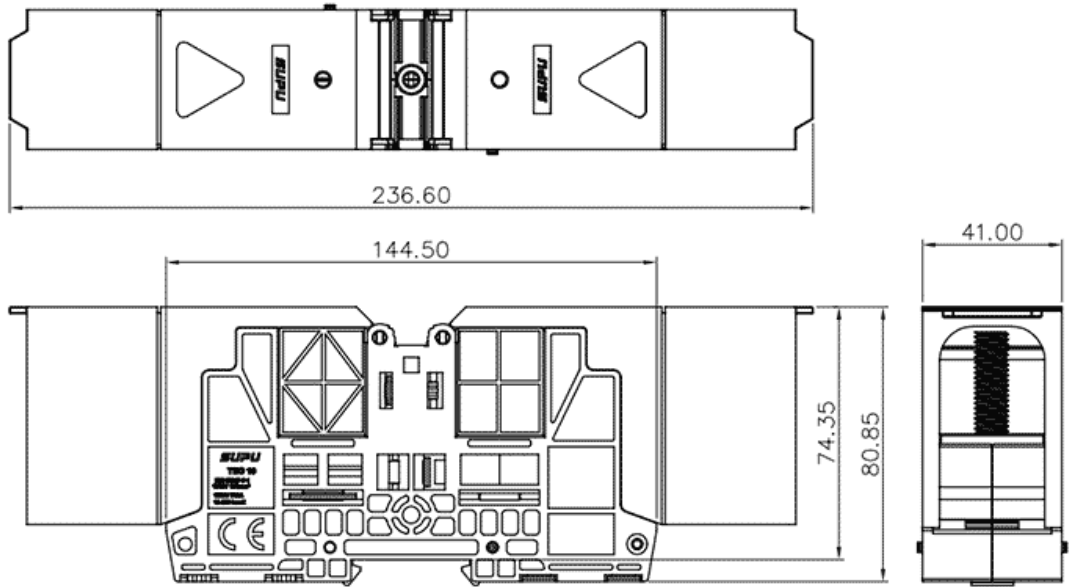


Product Type: Bolt Connection

Product Name:TBOC10-2-GY

Product Description: Connection method:Bolt connection,IEC Rated Current:309A,IEC Rated Voltage:1000V,Number of connections:2,Number of levels:1

Product Size



Parameters

☞ SUPU ID	TBOC10-2-GY
☞ Width	41mm
☞ Number of levels	1
☞ Number of connections	2

☞ Connection method	Bolt connection
☞ Protection Level	IP20
☞ Insulation material	PA66
☞ Insulation material group	I
☞ Contact material	Copper alloy
☞ Contact plating	Sn,Plated
☞ Ambient temperature (operation)	-40°C~105°C
☞ Ambient temperature (assembly)	-5°C~70°C
☞ Ambient temperature (storage)	-25°C~60°C
☞ Permissible humidity (storage/transport)	30%~70%

Technical data

☞ IEC Rated Current	309A
☞ IEC Rated Voltage	1000V
☞ Overvoltage category	III
☞ Degree of pollution	3
☞ Rated impulse voltage	8KV
☞ Conductor cross section flexible	6-150mm ²
☞ Locking screw Specification	M10
☞ Locking screw torque	10-20N.m
☞ Use group	B/C/E
☞ Rated cross section	10AWG -350 kcmil
☞ UL Rated Current	-/-/310A
☞ UL Rated Voltage	-/-/1000V

☞ Order No

TBOC10-2-GY

Ningbo SUPU Electronics Co., Ltd.

Address: No. 150, Xinxing 4th Road, High-tech Industrial Development Zone,
Cixi City, Zhejiang Province, China

Zip code: 315303

Switchboard: +86 574-63288158

Fax: +86 574-63288170

E-mail:supucontact@supu.cn

Service Hotline: 400-626-6336



Wechat